

Introduction

The HS-360X Wireless Handheld Scanner cradle acts as charger and radio communication interface for the HS-3678 Wireless. The HS-360X cradle receives data from the scanner via a Bluetooth radio, and sends that data to the host through an attached cable. The cradle also charges the scanner's internal battery pack when the scanner is inserted. A portable power supply on the forklift supplies power to the cradle. This document provides basic instructions on setting up and using the cradle. Any discussion of transmission of information refers specifically to the HS-360X cradle.

Equipment Supplied

The cradle package includes:

- Cradle
- Optional rubber feet

Accessories

The following equipment may be needed:

- Three 1/4-20 screws, minimum length 1.0" (for fastening bracket to mounting surface).

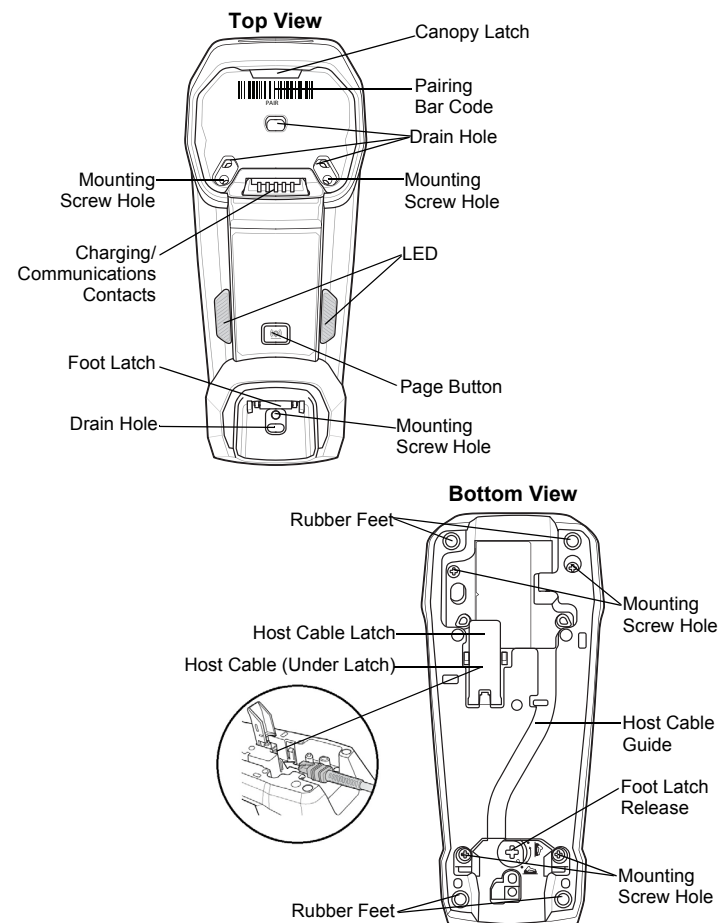
Save the shipping container for storing or shipping. Inspect all equipment for damage. If anything is damaged or missing, call Omron Microscan customer support immediately.

Related Documentation

HS-360X User Manual, P/N 84-9000360-02
 HS-360X (Wired) Quick Start Guide, P/N 83-9310013-02
 HS-360X (Wireless) Quick Start Guide, P/N 83-9310014-02
 HS-360X Battery Charger Quick Start Guide, P/N 83-9310017-02

All documentation is available at: www.microscan.com.

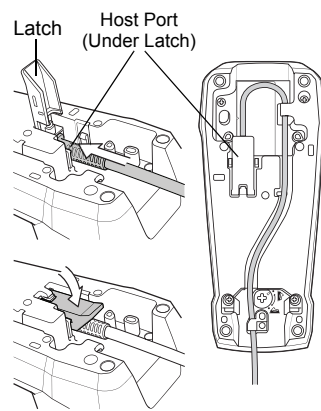
Cradle Parts



Cradle Connections

IMPORTANT Connect the interface cable and power supply (if necessary) in the following order to ensure proper operation of the scanner and cradle.

1. Connect the appropriate cable to the power supply and an AC power source, if necessary. This will ensure detection of the host and prevent inadvertently back powering the cradle from improper detection of the host.
2. Insert the interface cable into the host port.
3. Lift the cradle latch and insert interface cable into the cradle's port with the cable connector latch facing up (away from the cradle). Secure the cable by closing the cradle latch.
4. As necessary, thread the host cable under the cable hook and into the groove.
5. Pair the scanner to the cradle either by inserting it in the cradle (if Pair on Contacts is enabled) or by scanning the pairing bar code.
6. If necessary, scan the appropriate host bar code (for non-autodetected interfaces). Refer to the *Product Reference Guide*.



Changing the Host Interface

To connect to a different host, or to the same host through a different cable:

1. Unplug the interface cable from the host.
2. Unplug the power supply from the cradle.
3. Connect the interface cable to the new host, or the new interface cable to the existing host.
4. Reconnect the power supply, if required.
5. If necessary, scan the appropriate host bar code (for non-autodetected interfaces). Refer to the *Product Reference Guide*.

Using a Host Interface to Supply Power

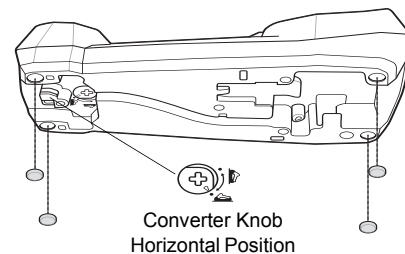
Some hosts can provide power to the cradle via the host interface, instead of an external power supply.

CAUTION Always disconnect the DC power supply BEFORE disconnecting the cable to the host end or the cradle may not recognize the new host.

Mounting the Cradle

Horizontal Mount

1. Ensure the desk/wall mount converter knob is in the correct position, shown at right.
2. If mounting the cradle horizontally where no fastening is necessary, peel the protective paper from the back of the rubber feet included with the cradle packaging, and attach the feet to the cradle at the indentations in the plastic. These feet provide traction and prevent surface damage.

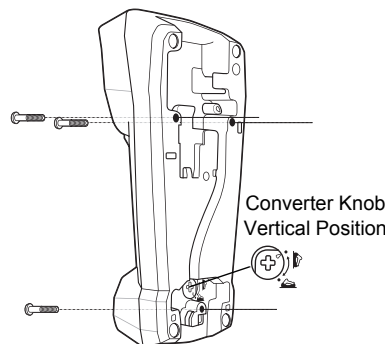


Vertical Mount

NOTE Do not use the rubber feet when mounting in a vertical orientation.

To mount the cradle on a vertical surface:

1. Use a Phillips screwdriver to turn the desk/wall mount converter knob to the position shown below. The front latches protract to engage the depressions at the base of the scanner's handle.
2. Attach the interface and power cables (see *Cradle Connections*).
3. Press the cables into the cable grooves.
4. Position the cradle on the mounting surface, or use the template included in this guide.
5. Mark the surface through the three holes on the bottom of the cradle, or use the mounting template to determine the location of the screw holes.
6. Pre-drill holes to accommodate three 1.5" #8 Philips head screws.
7. Attach the cradle securely to the surface.
8. Place the scanner in the cradle.

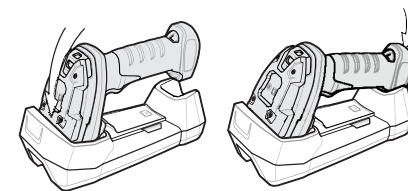


Inserting the Scanner in the Cradle

CAUTION Do not pour, spray, or spill any liquid on the cradle.

To insert the scanner in the cradle:

- Insert the scanner top first. Push the handle until it clicks into place, engaging the contacts in the cradle and scanner.



Sending Data to the Host Computer

The cradle receives data from the scanner via a wireless radio connection and transmits it to the host computer via the host cable. The scanner and cradle must be paired for successful wireless communication.

Pairing

NOTE The pairing bar code that connects the scanner to a cradle is unique to each cradle. Do not scan data or parameters until pairing completes.

Pairing registers a scanner to the cradle such that the scanner and cradle can exchange information. The HS-360X cradle operates in two modes: Point-to-Point and Multipoint-to-Point. In Point-to-Point mode, pair the scanner to the cradle either by inserting it in the cradle (if pair on contacts is enabled), or by scanning the pairing bar code. In Multipoint-to-Point mode, you can pair up to seven scanners to one cradle. To pair the scanner with the cradle, scan a pairing bar code. A high-low-high-low beep sequence followed by a low-high beep sequence indicates successful pairing and connection to the remote device. A long low, long high beep sequence indicates unsuccessful pairing.

Lost Connection to Host

If scanned data does not transmit to the cradle's host, ensure that all cables are firmly inserted and the power supply is connected to an appropriate AC outlet, if applicable. If scanned data still does not transmit to the host, reestablish a connection with the host:

1. Disconnect the power supply from the cradle.
2. Disconnect the host interface cable from the cradle.
3. Wait three seconds.
4. Reconnect the host interface cable to the cradle.
5. Reconnect the power supply to the cradle, if required.
6. Reestablish pairing with the cradle by scanning the pairing bar code.

Charging the Scanner Battery in the Cradle

When using a new battery in the scanner, the battery requires a charge to be enabled. Insert the battery in the scanner and place the scanner in the HS-360X cradle (see *Inserting the Scanner in the Cradle*). The battery begins charging when the scanner LED indicator starts flashing amber. The battery is fully charged when the cradle LED is solid green. A complete charge of a fully discharged battery can take up to three hours using external power and up to ten hours using the USB interface cable.

Cradle LED Indicators

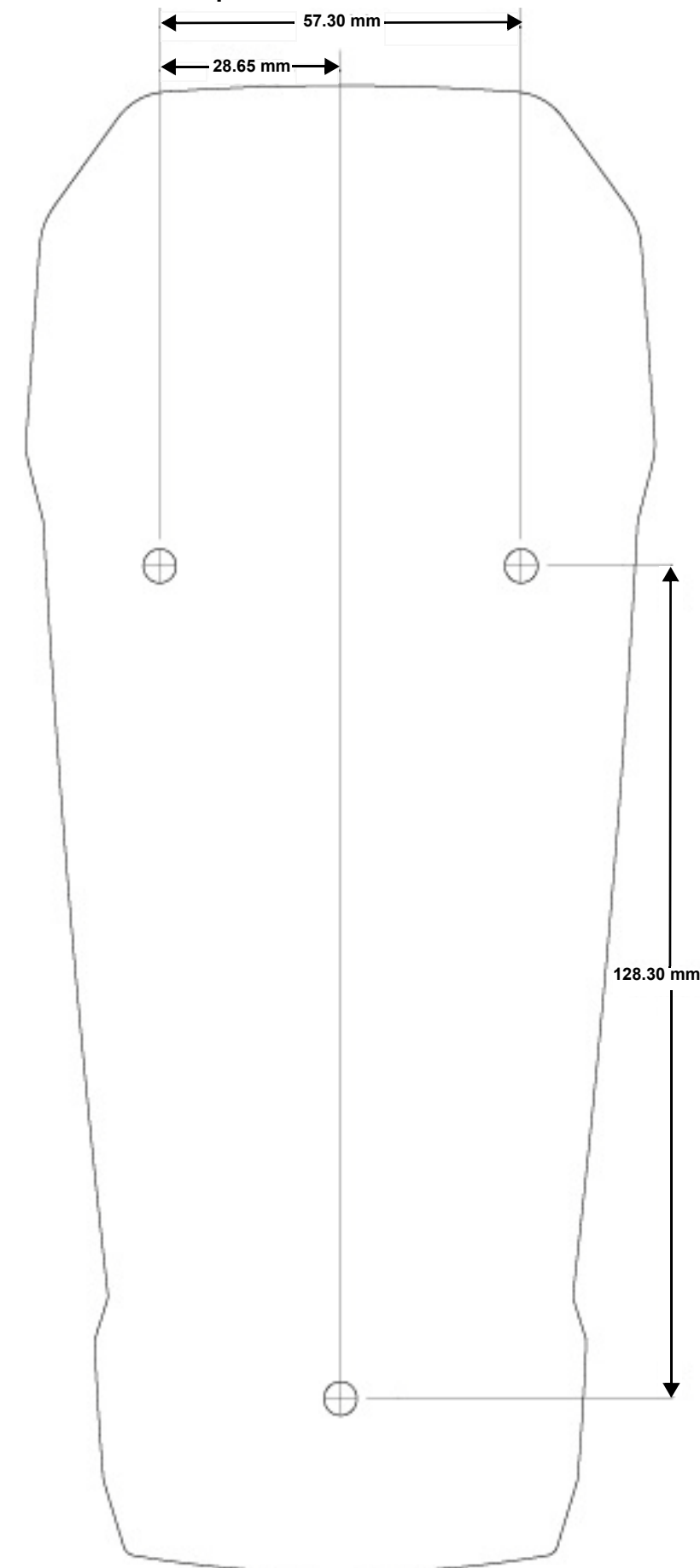
LED	Indication
Green	Power on
Green flashing	Bluetooth connection established
Blue	Page button
Battery Indications	
Amber	Pre-charging
Amber Blinking	Charging
Amber fast blinking	Charging error
Green	Fully charged

Troubleshooting

If the cradle does not work after following the previous procedures:

- Check the system power.
- Check for loose cable connections.
- Check that the scanner is inserted properly in the cradle.
- Check that the host settings are correct and the cradle is connected to the appropriate port on the host.

Wall Mount Template



NOTE When printing the HS-360X User Manual, which includes the wall mount template, ensure the dimensions print correctly by setting the **Page Sizing and Handling** to **Actual Size**.