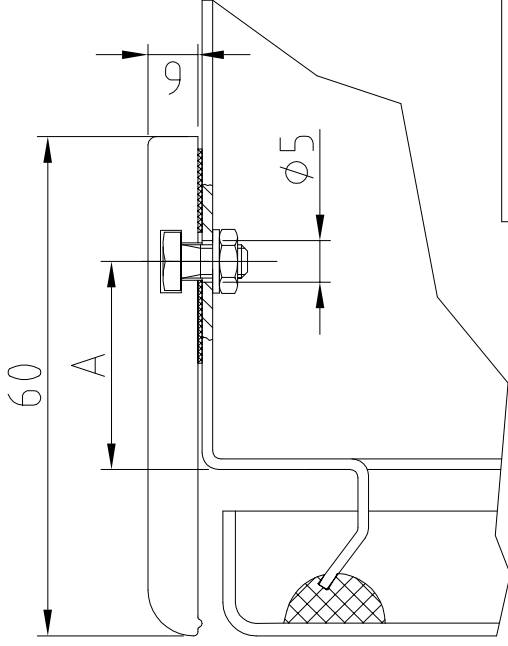
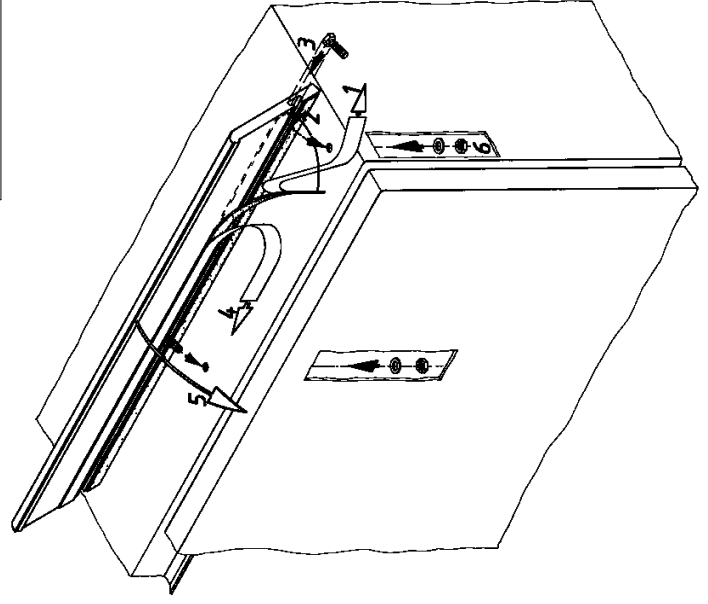




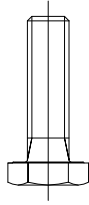
**SZ**  
2426.500



Gehäuse/Enclosure	A
AE	25
AK	15
KL/EB/BG	20.5

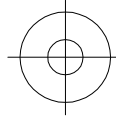


8X



M4x14

8X



A4

8X



M4

Zchng.-Nr. / No. of dwg. : A3023201SZ76  
Versandbeutel-Nr. / No. of accessory bag :

Lieferanten-Nr. / No. of supplier :