

SIEMENS

IP Router secure / IP Interface secure
IP-Router secure / IP-Schnittstelle secure
Routeur IP sécurisé / Interface IP sécurisée
Router IP estable / Interfaz IP estable
IP Router secure / IP Interface secure
Router-IP seguro / Interface-IP seguro
Güvenli IP Dağıtıcı / Güvenli IP Arayüzü
Безопасный IP-роутер / IP-интерфейс
IP Router secure / IP Interface secure
IP 路由器安全 / IP 接口安全



5WG1146-1AB03

5WG1148-1AB23



Operating Instructions Betriebsanleitung
Instruções de Serviço İşletme kılavuzu

Notice d'utilisation
Руководство по эксплуатации

Instructivo
Bedieningshandleiding

Istruzioni operative

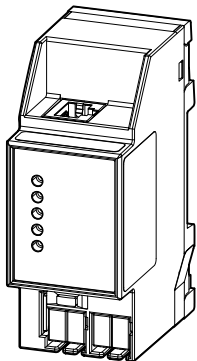
使用说明



Contents / Lieferumfang / Etendue de la livraison / Contenido / 供货范围

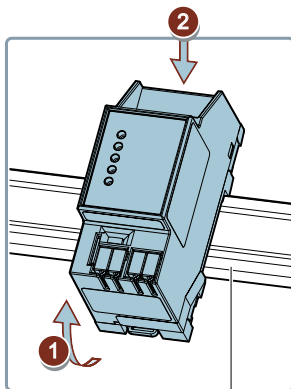


5WG1146-1AB03
5WG1148-1AB23

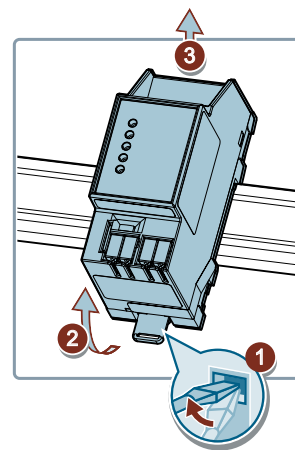
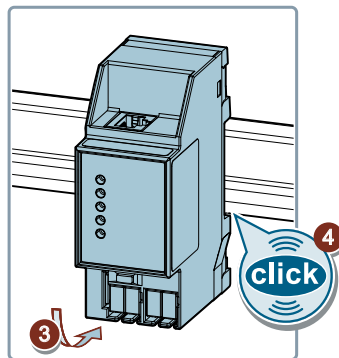


Assembly / Montage / Montage / Montaje / 安装

Removal / Demontage / Démontage / Desmontaje / 拆卸

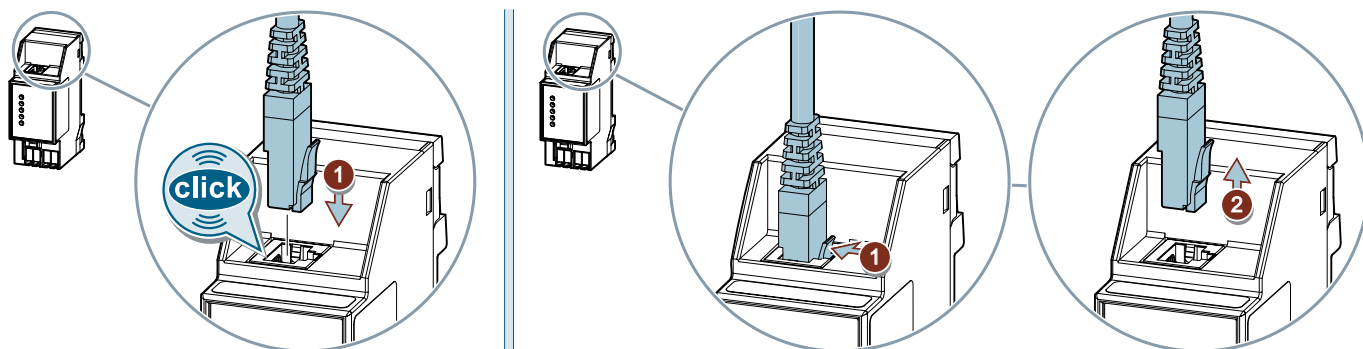


EN 60715-TH35

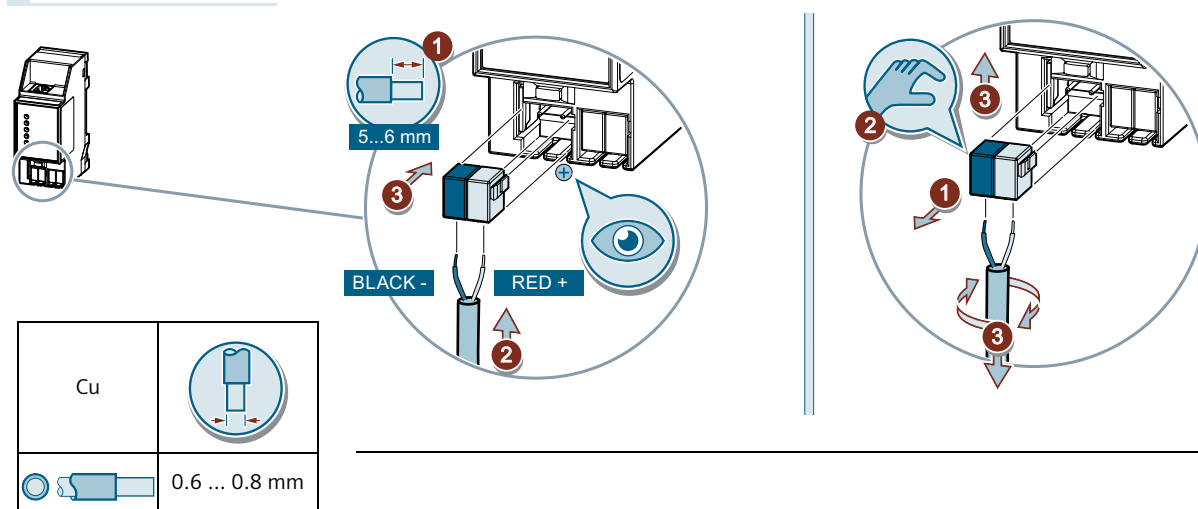




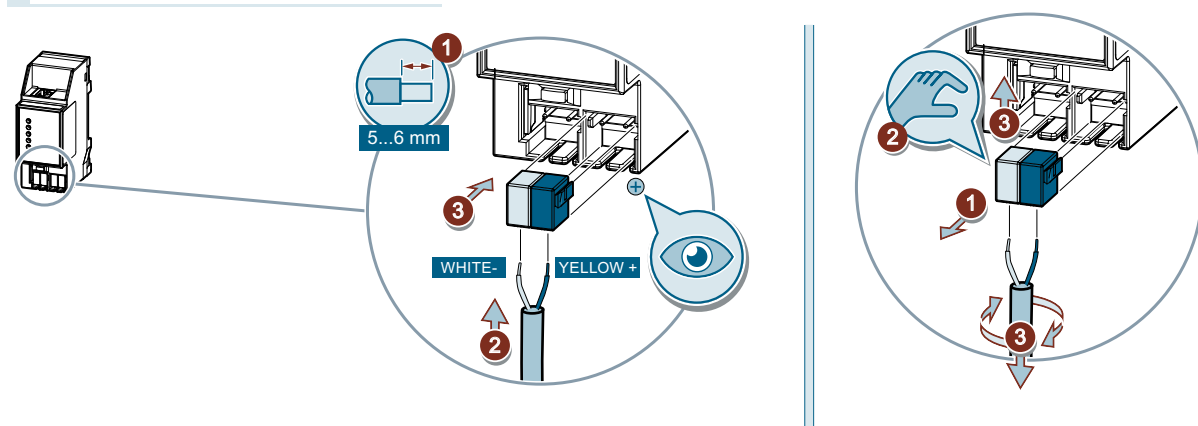
Ethernet RJ-45



KNX 24VDC typ. SELV

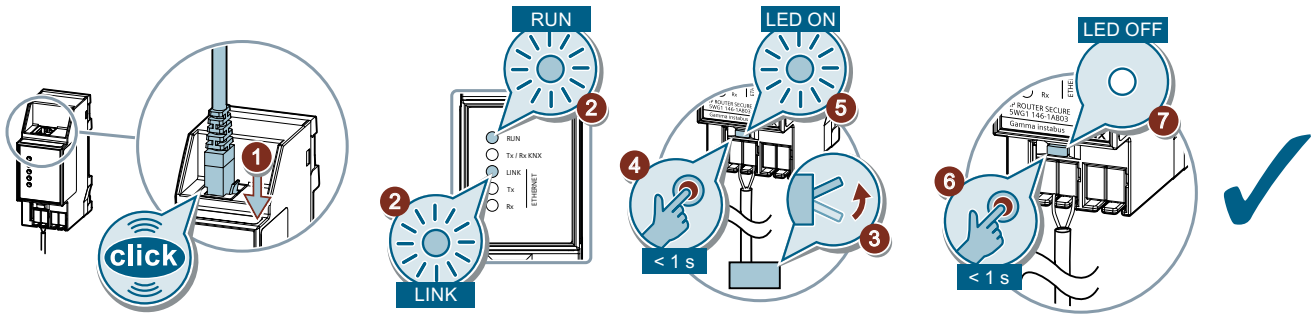


Power Supply AC 16...24V, DC 16...30V

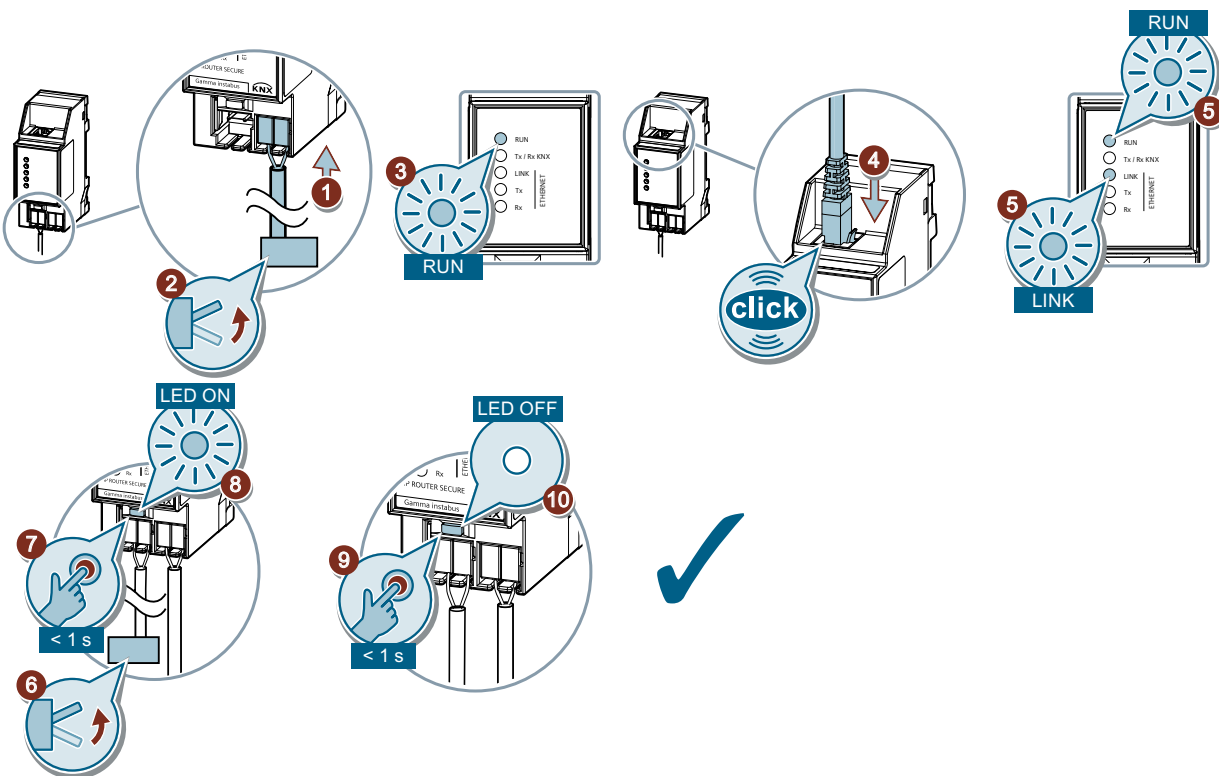


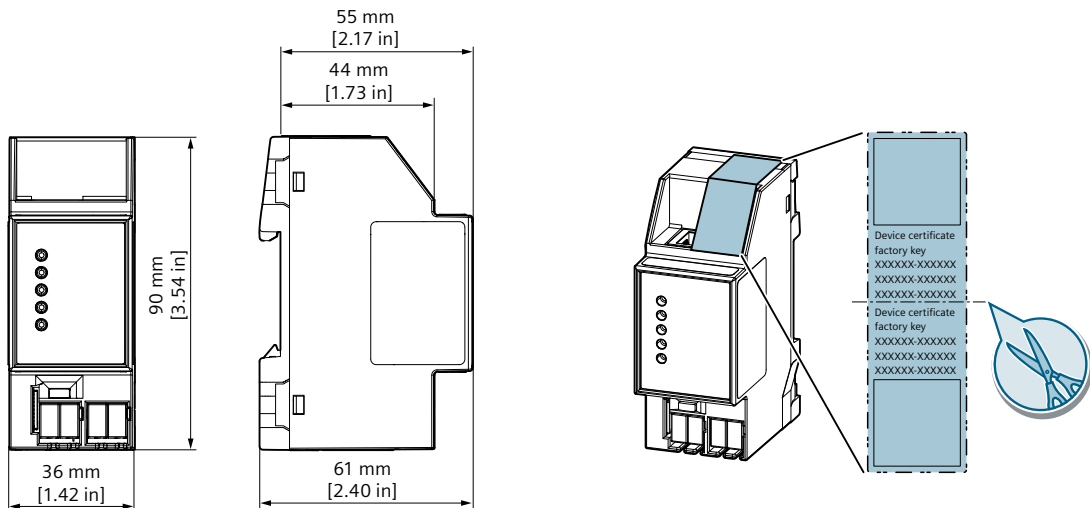


Power over Ethernet (PoE) / Ethernet RJ-45



Power Supply





Technical Documentation:
<http://www.siemens.com/gamma-td>



Technical Support
<http://www.siemens.com/supportrequest>



FAQ:
<https://support.industry.siemens.com/cs/ww/en/ps/faq>

